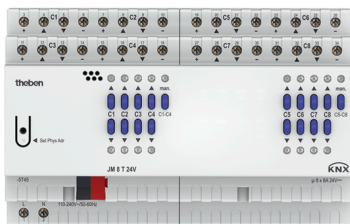


## Description

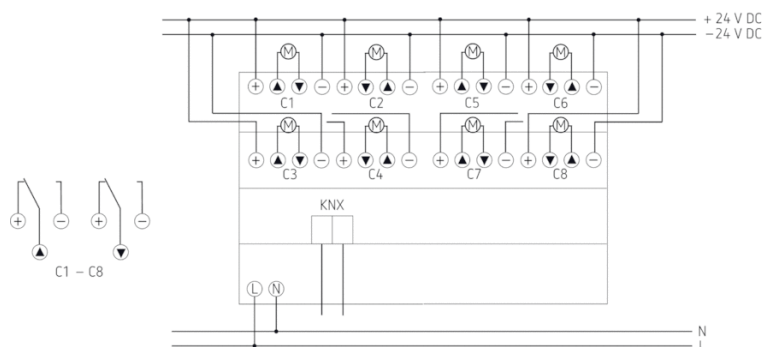


- 8-way blind actuator 24V FIX2
- For controlling 24V drives for blinds, shutters, sun and vision protection devices, skylights and ventilation flaps
- Manual operation on device (even without bus connection)
- LED Up and Down switching status display for each channel
- Potential-free contacts for Up and Down per channel
- Copy function for fast configuration

## Technical data

Operating voltage KNX	Bus voltage, ~4 mA
Operating voltage	110 – 240 V AC
Stand-by consumption	~0,5 W
Frequency	50 – 60 Hz
Number of channels	8
Width	8 modules
Installation type	DIN rail
Type of connection	Terminal screws   Bus connection: KNX bus terminal
Max. cable cross section	Solid wire: 0.5 mm <sup>2</sup> (Ø 0.8) to 4 mm <sup>2</sup>   Stranded wire with end sleeve: 0.5 mm <sup>2</sup> to 2.5 mm <sup>2</sup>
Type of contact	Changeover contact, 6 A
Switching capacity	6 A (at 24 V DC)
Switching output	Potential-free, not for SELV
Ambient temperature	-5 °C ... +45 °C
Type of protection	IP 20
Protection class	II according to EN 60 730-1

## Connection example



Scale drawings

